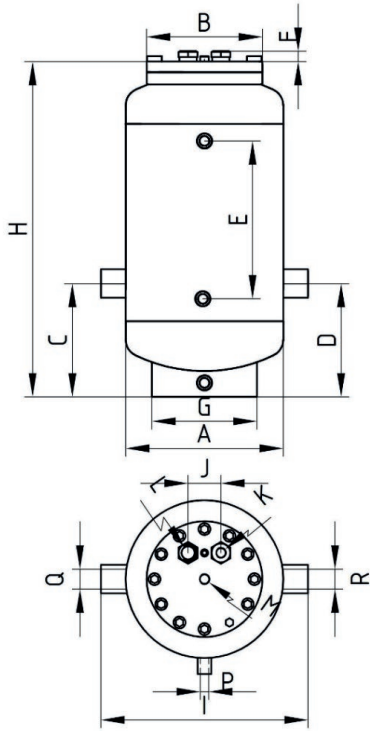


CLEAN STEAM SERIES

ALL STAINLESS STEEL CONDENSATE PUMPING TRAPS KP SS

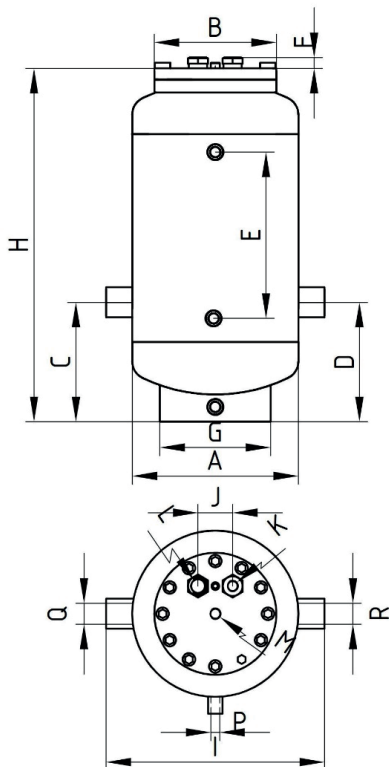
TECHNICAL DATA



PHYSICAL DATA - 300SS

(mm),(")

	KP300SS - 25	KP 300SS - 32	KP 300SS - 40
A	300 mm	300 mm	300 mm
B	220 mm	220 mm	220 mm
C	215 mm	215 mm	215 mm
D	215 mm	215 mm	215 mm
E	300 mm	300 mm	300 mm
F	20 mm	20 mm	20 mm
G	200 mm	200 mm	200 mm
H	628 mm	628 mm	628 mm
I	394 mm	394 mm	394 mm
J	62.5 mm	62.5 mm	62.5 mm
K	1/2 "	1/2 "	1/2 "
L	1/2 "	1/2 "	1/2 "
M	1/2 "	1/2 "	1/2 "
P	1/2 "	1/2 "	1/2 "
Q	1" /DN25/	1 1/4" /DN32/	1 1/2" /DN40/
R	1" /DN25/	1 1/4" /DN32/	1 1/2" /DN40/



PHYSICAL DATA - KP 400 SS

(mm),(")

	KP 400SS - 50	KP 400SS - 80
A	400 mm	400 mm
B	220 mm	220 mm
C	260mm	260 mm
D	260 mm	260 mm
E	300 mm	300 mm
F	20 mm	20 mm
G	250 mm	250 mm
H	686mm	686 mm
I	567 mm	552 mm
J	62.5 mm	62.5 mm
K	1/2 "	1/2 "
L	3/4"	3/4 "
M	1/2 "	1/2 "
P	1/2 "	1/2 "
Q	2"/DN50/	3"/DN80/
R	2"/DN50/	2"/DN50/

CAPACITY CHART CONDENSATE TRAPS CLEAN STEAM SERIES

Filling head - 500 mm

Motive pressure	Lift & Back pressure	KP 300SS (1" x 1")	KP 300SS (1¼" x 1¼")	KP 300SS (1½" x 1½")	KP 400SS (2" x 2")	KP 400SS (3" x 2")
		DN25 x DN25	DN32 x DN32	DN40 x DN40	DN50 x DN50	DN80 x DN50
bar	bar	kg/h	kg/h	kg/h	kg/h	kg/h
1.0	0.4	920	1100	1300	1950	3630
1.8		960	1230	1480	2870	5320
2.5		1010	1290	1540	2940	5500
3.5		1050	1360	1610	3050	5670
5		1100	1410	1650	3120	5800
7		1140	1450	1700	3180	5900
8		1170	1490	1750	3210	6000
1.8	1.0	750	900	1140	2350	3500
2.5		850	1010	1350	2550	4700
3.5		940	1160	1510	2740	5000
5		1000	1210	1560	2820	5230
7		1040	1240	1590	2910	5320
8		1060	1250	1610	2950	5330
2.5	1.5	780	870	1000	2000	3350
3.5		810	950	1140	2520	4690
5.0		910	1070	1280	2600	4840
7.0		980	1170	1400	2650	4950
8.0		1040	1210	1430	2670	5030
3.5	3.0	670	700	740	1890	2800
4.0		720	850	950	2210	3350
5.0		810	970	1090	2480	3680
7.0		840	930	1200	2600	3920
8.0		880	950	1240	2700	4110
4.5	4.0	550	610	650	1650	2400
5.0		630	710	780	1780	2610
7.0		760	900	1040	1950	2900
8.0		800	930	1060	2070	3100

NOTE: In case the filling head is different from 500 mm please use the capacity conversion factors according to the table below :

CAPACITY CONVERSION FACTORS DEPENDING ON FILL HEADS

Fill Head	0 mm	250 mm	500 mm	750 mm	1000 mm
KP 300SS – DN25	0.60	0.80	1.00	1.05	1.12
KP 300SS –DN32	0.65	0.80	1.00	1.07	1.14
KP 300SS –DN40	0.65	0.82	1.00	1.10	1.15
KP 400SS –50	0.70	0.85	1.00	1.07	1.15
KP 400SS –80	0.70	0.90	1.00	1.10	1.15