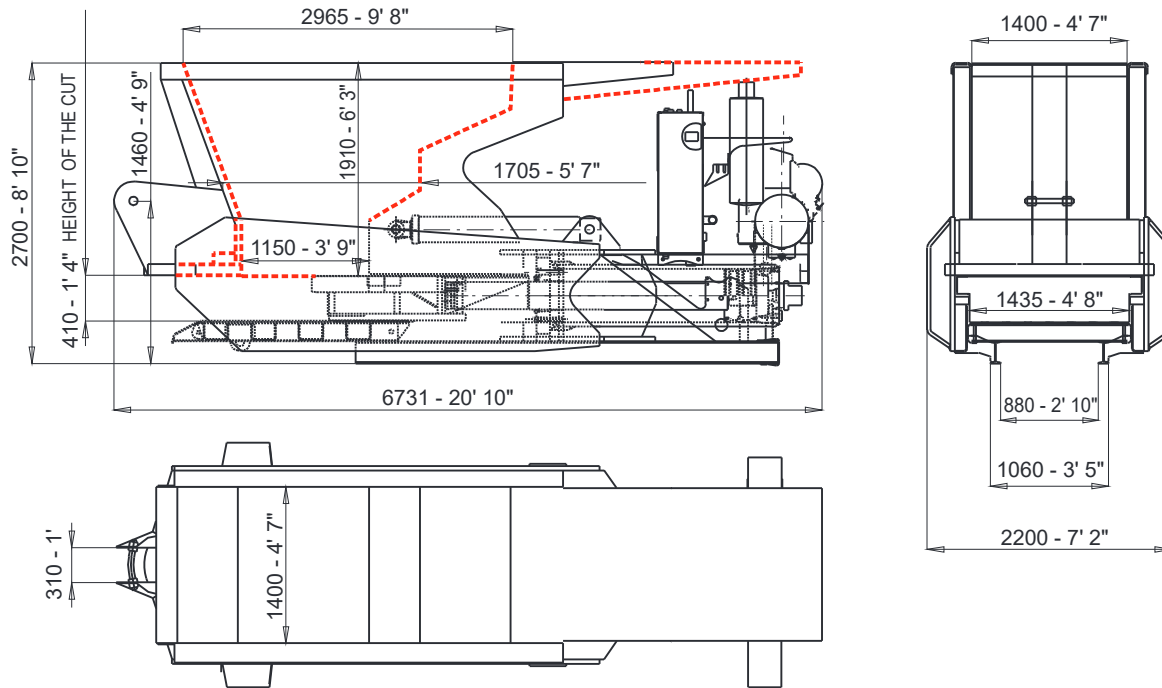


# SQUALO 1000 t PORTABLE HORIZONTAL SHEAR



Standard diesel engine or electrical motor	90 Kw
Diesel fuel consumption ~	8, 10 l/h - 1,7, 2,2 gal/h
Productivity @	10 , 12 ton/h
Weight of standard machine @	21 ton
Fully automatic working cycle	
Continuous centralized and automatic cycle greasing system	
Available even with radio remote control	

TUTTI I DATI TECNICI POSSONO ESSERE CAMBIATI SENZA PREAVVISO - TOUS LES DONNÉES TECHNIQUES SONT SUJETTES A MODIFICATION SANS PREAVIS - ALL TECHNICAL DATA SUBJECT TO CHANGE WITHOUT NOTICE - TODOS LOS DATOS TECNICOS PUEDEN SER CAMBIADOS SIN AVISO - ALLE ÄNDERUNGEN DER TECHNISCHEN DATEN OHNE VORANKÜNDIGUNG VERBEHALTEN

**Ing. BONFIGLIOLI S.p.A.**

40050 Castello d'Argile - BOLOGNA – ITALIA - Email: [service@ingbonfiglioli.it](mailto:service@ingbonfiglioli.it)

Web: [www.ingbonfiglioli.it](http://www.ingbonfiglioli.it) Tel. +39.051.6867214 Fax +39.051.6867222