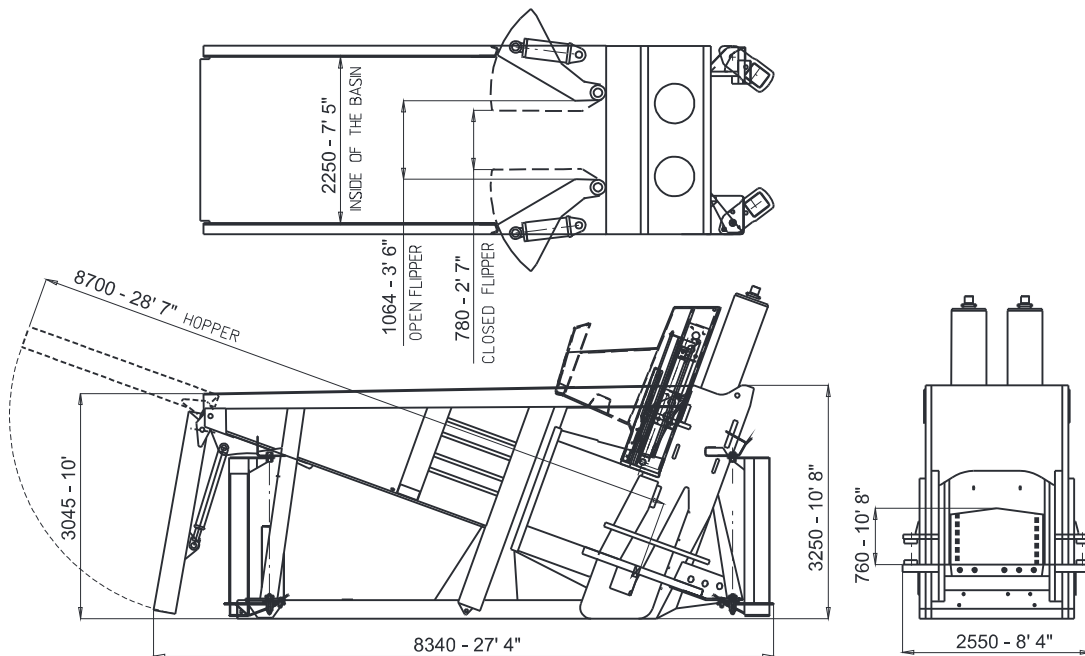


# SHEAR SQUALO 15



Standard diesel engine or electrical motor	132 KW
Diesel fuel consumption ~	12÷14 l/h - 2,64÷3,08 gal/h
Productivity ≅	14÷16 tons/h
Weight of standard machine	52 tons
Adjustable length of shredded material	

TUTTI I DATI TECNICI POSSONO ESSERE CAMBIATI SENZA PREAVVISO - TOUS LES DONNÉS TECHNIQUES SONT SUJETTES A MODIFICATION SANS PREAVIS - ALL TECHNICAL DATA SUBJECT TO CHANGE WITHOUT NOTICE -  
 TODOS LOS DATOS TECNICOS PUEDEN SER CAMBIADOS SIN AVISO - ALLE ANDERUNGEN DER TECHNISHEN DATEN OHNE VORANKUNDUNG VERBEHALTEN

**Ing. BONFIGLIOLI s.p.A.** 40050 Castello d'Argile - BOLOGNA – ITALIA

Email: [service@ingbonfiglioli.it](mailto:service@ingbonfiglioli.it) Web: [www.ingbonfiglioli.it](http://www.ingbonfiglioli.it) Tel. +39.051.6867214 Fax +39.051.6867222