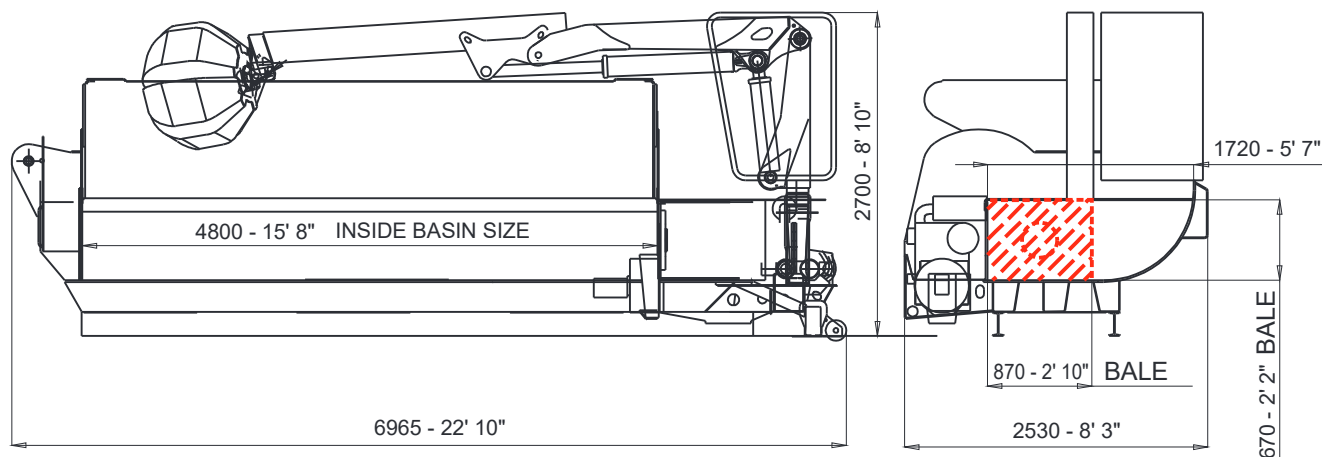


# ARIETE BALER



Standard diesel engine or electrical motor	55 Kw
Diesel fuel consumption ~	6, 7 l/h - 1,3, 1,5 gal/h
Productivity @	10, 12 ton/h
Available with or without loader	
Available with remote control and/or automatic cycle	
Can operate on truck or stationary on the ground	

TUTTI I DATI TECNICI POSSONO ESSERE CAMBIATI SENZA PREAVVISO - TOUS LES DONNÉES TECHNIQUES SONT SUJETTES A MODIFICATION SANS PREAVIS - ALL TECHNICAL DATA SUBJECT TO CHANGE WITHOUT NOTICE - TODOS LOS DATOS TECNICOS PUEDEN SER CAMBIADOS SIN AVISO - ALLE ANDERUNGEN DER TECHNISCHEN DATEN OHNE VORANKÜNDIGUNG VERBEHALTEN

**Ing. BONFIGLIOLI S.p.A.** 40050 Castello d'Argile - BOLOGNA – ITALIA

Email: [service@ingbonfiglioli.it](mailto:service@ingbonfiglioli.it) Web: [www.ingbonfiglioli.it](http://www.ingbonfiglioli.it) Tel. +39.051.6867214 Fax +39.051.6867222